

PV Disconnect 440-40-1

Connection box with DC disconnect

Description

An outdoor rated, combining connection box with DC disconnect switch that allows 1 strings of PV modules to be connected safely to a solar pump system.

The PV disconnect is also designed to accept an optional lightning protection device.

Features

- DC rated disconnect to provide safe isolation of the system
- Robust weather proof housing designed to make installation simple
- Lockable to secure the system during maintenance (power locked off)
- For professional installation of pumping systems
- Internal touch protection with screws
- Designed to be used with LORENTZ PS2-150 to PS2 4000 systems



photo may differ from actual product

Ordering and shipping information

- Item no: 19-000125
- Product name: PV Disconnect 440-40-1
- Packed volume 0.01 m³ (0.35 ft³)
- Packed weight 1.9 kg (4.2 lbs)

Approvals and standards

- Switch IEC 60947-3



Technical data / Specifications

Maximum voltage	440 V DC	
Maximum current per string	40 A	
Maximum total current	40 A	
Number of strings.	1	
Input cables	4 - 10 mm ²	AWG 12 - 8
Output cables	4 - 10 mm ²	AWG 12 - 8
PG glands (input)	2 x M16	
PG glands (output)	2 x M16	
Lightening protection mounting hole	PG16 cap	
Environmental protection	IP68	NEMA6
Housing material	Polycarbonate	

BERNT LORENTZ GmbH

Siebenstuecken 24, 24558 Henstedt-Ulzburg, Germany
Tel. +49 (0) 4193 8806 - 700, www.lorentz.de

All specifications and information are given with good intent, errors are possible and products may be subject to change without notice. Pictures may differ from actual products depending on local market requirements and regulations.

Sun. Water. Life.

Optional lightning surge protector

Provides protection for the pump controller from incoming high voltages on the PV side. The surge protector connects through a pre-drilled and blanked mounting hole in the PV connect housing

- Proper grounding of the device is required to achieve protection
- Item no.: 19-002120 MNSPD-115 PS2-150 to PS2-200
- Item no.: 19-002130 MNSPD-300 PS2-600 to PS2-1800
- Item no.: 19-002140 MNSPD-600 PS2-4000



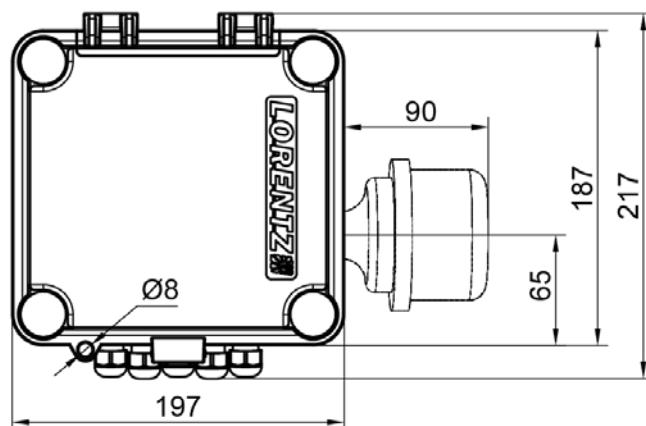
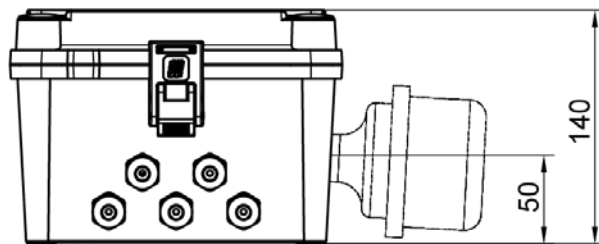
Mounting options

- Wall mount using 4 holes with weather protection
- Designed for optional pole mounting. Mounting points are pre-marked inside the housing.



Dimensions and weight

- See diagram for mm sizes
- Max height 220 mm (8.66")
- Max width (no surge protector) 197 mm (7.75")
- Max width (surge protector) 297 mm (Max 11.7")
- depth 140 mm (5.5")
- Weight 1403 g (3.1 lbs)



BERNT LORENTZ GmbH

Siebenstuecken 24, 24558 Henstedt-Ulzburg, Germany
Tel. +49 (0) 4193 8806 - 700, www.lorentz.de

Sun. Water. Life.

All specifications and information are given with good intent, errors are possible and products may be subject to change without notice. Pictures may differ from actual products depending on local market requirements and regulations.